

**TOP FIVE**

**FUTURE INNOVATION  
FINEST QUALITY  
FAST SERVICE  
FREE ITEMS  
FAIR PRICE**



**G&G ARMAMENT**  
AIRSOFT GUNS & ACCESSORIES

### Future innovation

G&G always brings you the most innovative products. We not only replicate real steel firearms, but we also push our R&D to develop more features and ergonomic designs to meet the high standards of our customers' demand.

### Finest quality

G&G offers industry leading manufacturer warranty coverage of up to 90 days after the purchase of a G&G gun. We stand behind our quality and test every single rifle before shipment.

### Fast service

We have dedicated and professional employees who work on end users' emails and dealers' inquiries. We have personnel and professionals working daily to ensure all inquiries are responded to in a timely manner. Most warranty claims are dealt with within 24 hours by our customer support department.

### Free items

G&G offers the most variety of free items for our customers, and we continue to release new giveaways frequently. We always offer a variety of promotional materials for events and sponsorships to help and support the Airsoft community.

### Fair price

Customer satisfaction is G&G's main goal. We offer top dollar products to our customers, and we never cut corners to build our products.

### TAIWAN

Sales Dept.

sales@guay2.com , b2b@guay2.com

Technology Support Dept.

support@guay2.com

PR Dept. pr@guay2.com

Chang Hua (Headquarter)

Tel : +886-4-798-9000 Fax : +886-4-798-9900

No.999, Zhonghua Rd. Shengang Township,  
Changhua County 50952, Taiwan (R.O.C.)

Taipei

Tel : +886-2-2692-2000 Fax : +886-2-2692-4000

11F-3., No.27, Lane 169, Kangning St. Shijr City,  
Taipei County 22180, Taiwan (R.O.C.)

### U.S.A. (Warehouse)

Los Angeles

E-mail sales101@guay2.com

Tel : +1-626-581-0101

Fax : +1-626-581-1011

1122 Coiner Court,  
City of Industry, CA 91748 (U.S.A.)

Dealer

G2-201301-04-英



**G&G** www.Guay2.com

**G731 Full Metal CO2 Powered Airsoft Gas Pistol**



Like Us On

www.facebook.com/ggarmament



**RoHS**  
2002/95/EC





Safety OFF:  
Set the selector to the "F" position.

Safety ON :  
Set the selector to the "S" position.

## Installing CO2 Cartridge



1. Push the pistol grip panel upward.
2. Push the pistol grip panel downward to take off the cover.



3. Install the CO2 cartridge.



4. Turn the puncture screw clockwise to puncture the CO2 cartridge.



5. Push the pistol grip panel back into position.

- ⚠ Use Only 12 gram CO2 cartridge.
- ⚠ Keep hands and face away from escaping CO2 gas. It can cause frostbite if allowed to come in contact with skin.



WARNING

- This product is suggested for users 18 years or older.
- Always wear eye protection when playing airsoft.
- Incorrect use may cause injury or death.
- Never point an Airsoft gun at animals or humans.
- Read the whole manual before using.
- Buyers and users must obey all laws and rules of the local authorities in their area.
- For the best performance and warranty, do not use this product in an environment under 18 degree C.



### Loading BB Pellets (Method 1)



1. Set the selector to the "OPEN" position.



3. Load the G&G 5.95 mm BB pellets into the copper shells until you hear a 'click'.



5. Push the cylinder back into position.

▲ Always use the G&G BB pellet or diameter 5.94 ~ 5.96 mm BBs for this air gun.



2. Push the other side to release the cylinder.



4. Insert six copper shells into the cylinder.



### Loading BB Pellets (Method 2)

1. Insert six copper shells (with G&G 5.95mm BB pellets) into the Jet-Loader.

▲ Aim at a safe target. Since the CO2 gun will eject a powerful gas force, player should pay extreme attention to target selection and be aware that improper targets would make BB or steel shots rebound from the target.



2. Push and turn the knob clockwise to lock the copper shells.



4. Push the knob to release the copper shells into the cylinder.



3. Insert six copper shells of the Jet-Loader into the cylinder.



5. Push the cylinder back into position.

### Unloading BB Pellets (Copper Shells)



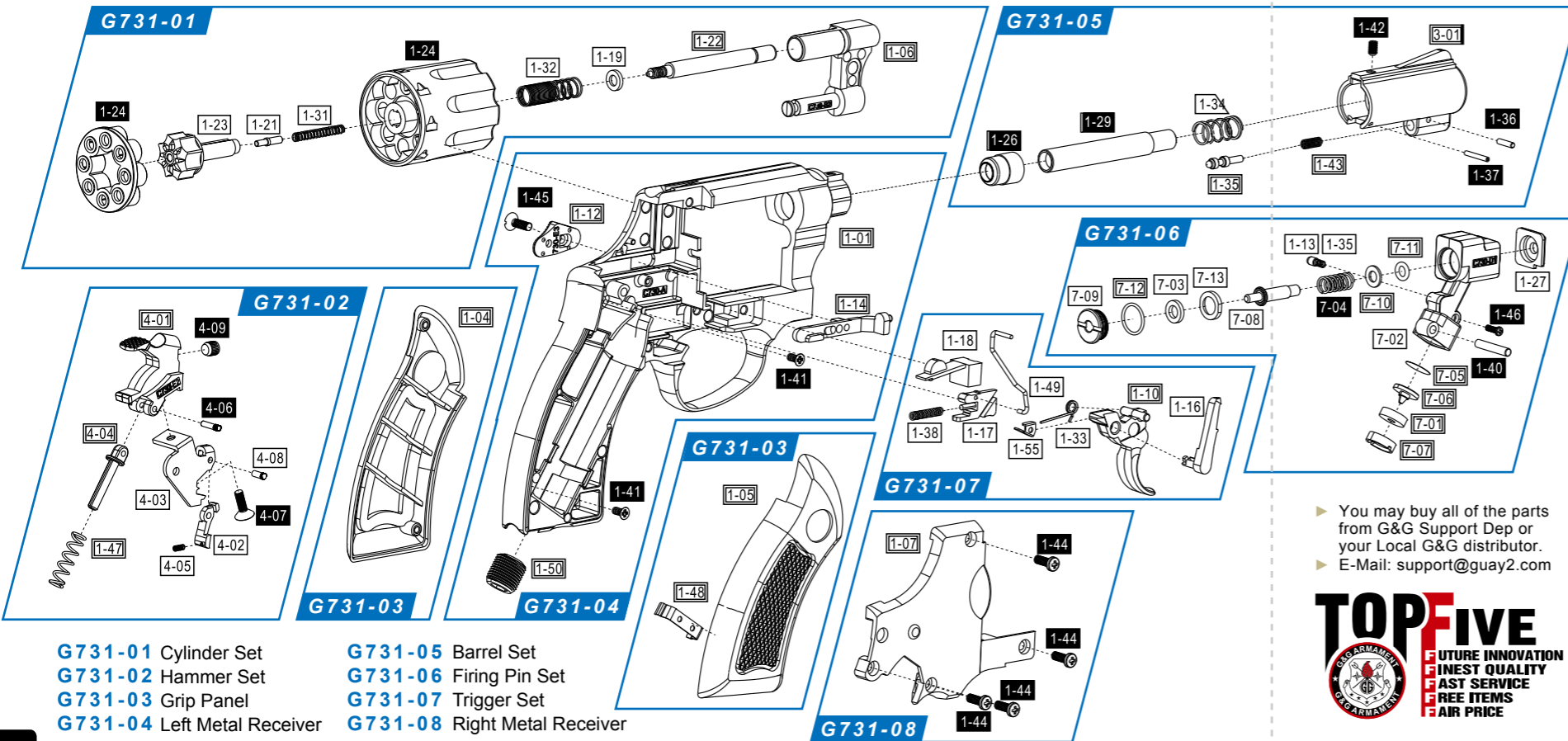
1. Set the selector to the "OPEN" position.



2. Push the other side to release the cylinder.



3. Push the ejector rod to unload the BB pellets.



**G731-01** Cylinder Set  
**G731-02** Hammer Set  
**G731-03** Grip Panel  
**G731-04** Left Metal Receiver

**G731-05** Barrel Set  
**G731-06** Firing Pin Set  
**G731-07** Trigger Set  
**G731-08** Right Metal Receiver

## ⚠ Attention

1. If a BB does not fire after completing the operation steps, do not assume that the gun is unloaded. Always point the pistol at a safe direction.
2. After shooting is complete, the gun should be unloaded before storage. To unload the gun, always put the selector on safe mode, remove the CO2 cartridge, and remove the BB's from the magazine.
3. High temperatures can produce pressure in the CO2 cartridge that is considerably higher than the normal operating pressure. Such increased pressure may prevent the pistol from firing and may result in permanent damage to the gun. The maximum operating temperatures can easily be reached if the gun is left directly exposed to the sun; therefore, the user should not expose the pistol to high temperature conditions or direct sunlight for an extended period of time.
4. Rapid firing of the gun will cause temperature reduction in the pistol and CO2 gas. This will lower BB velocities and may even lower the gas pressure causing the pistol not to fire. This condition can be avoided by allowing more time between shots. This permits the gas to increase in temperature and pressure, and produce normal velocities.
5. Care should be exercised to ensure that the gun is not shot with a CO2 cartridge that is low in pressure as a BB may not be expelled from the barrel.
6. A CO2 cartridge contains gas under pressure, whether or not it has been inserted into a gun. If exposed to high temperatures (such as inside of a closed car with direct sunlight), it could explode. Be sure to store all cartridges in a cool place.

- ▶ You may buy all of the parts from G&G Support Dep or your Local G&G distributor.
- ▶ E-Mail: support@guay2.com