



Exploded View Parts List

Phantom 1000

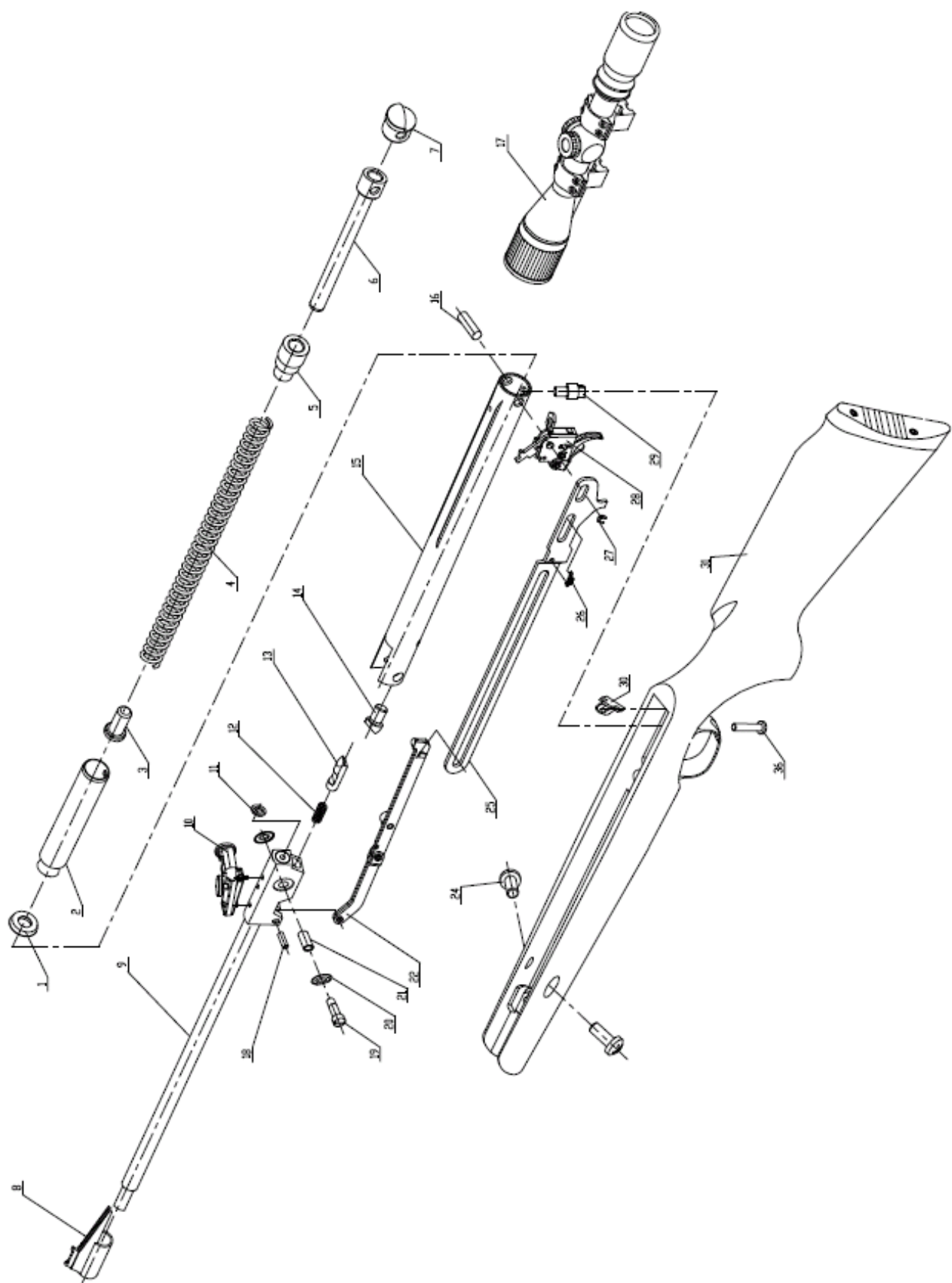
CS1K77/CS1K77X

.177 (4.5mm) Caliber

Crosman Corporation
7629 Routes 5 & 20
East Bloomfield, NY 14443

Phone: (800) 724-7486
Parts Order Fax: (585) 657-5405

www.crosman.com



Item Call Out #	Part Number	Description	CS1K77 CS1K77X
1	B18-04-1A	Piston Seal	1
2	B18-04-100A	Piston	1
3	B18-00-3	Front Spring Guide	1
4	B18-00-4D	Piston Spring	1
5	B18-00-6	Back Spring Guide	1
6	B19-00-100	Spring Guide Assembly	1
7	B19-8-00-1	Tube Cover – for synthetic stock	1
8	B19-2-01-1	Front Sight	1
9	B19-2-01-100	Barrel Assembly	1
10	B19-2-02-00	Rear Sight	1
11	B20-00-3	Breach Seal	1
12	B18-01-3A	Jam Spring	1
13	B18-01-2	Alive Jam	1
14	B18-00-2	Detent (Order with B19-2-03-00 only)	1
15	B19-2-03-00	Compression Tube Assembly	1
16	B18-00-7	Fixed Pin	1
17	4x32mm Scope	4x32mm Scope (only for X models) w/ 2pc Rings	1
18	B12-00-1A	Link Pin	1
19	B19-2-00-2	Break Bolt	1
20	B18-00-15A	Washer	2
21	B18-01-1A	Bushing	1
22	B18-07-00	Lever Assembly	1
24	GBT 818-2000-M5×14	Pan Head Screws - nylok	2
25	B18-00-5	Bear Trap Lever	1
26	B18-00-12A	Safety Spring	1
27	GB896-86-3	E-Ring	1
28	B18-05-00	Trigger Pack Assembly	1
29	B18-00-9	Stock Link Pin	1
30	B19-2-06-100	Stock Lug Brace	1
31	B19-8-01-00	Synthetic Stock and Butt Plate Assembly	1
36	GB823-88-M6X20	Screw, Trigger Guard Rear - nylok	1

For Current Pricing Contact Crosman Customer Service at (800) 724-7486.

This parts list is intended to be an informational guide in ordering parts. It is not instructional material and we therefore assume no responsibility for those who use without proper factory training.

Please order by part number and description.

Check or money order for the total price must accompany the order.

Updated 11/7/08