



Venom Series
Hardwood- Models CVW8M22NP (.22 cal)
and CVW1K77NP (.177 cal)
Dusk Synthetic- Models CD8M22NP (.22cal)
and CD1K77NP (.177 cal)

OWNER'S MANUAL

READ ALL INSTRUCTIONS AND WARNINGS IN THIS MANUAL BEFORE USING THIS AIRGUN

Crosman Corporation
 7629 Rts. 5 & 20
 Bloomfield, NY 14469 USA
 800-7-AIRGUN
 www.crosman.com
 Made in China

CVDA515

WARNING: Not a toy. This airgun is recommended for adult use only. Misuse or careless use may cause serious injury or death. May be dangerous up to 700 yards (640 m).

WARNING: Do not brandish or display this airgun in public—it may confuse people and may be a crime. Police and others may think it is a firearm. Do not change the coloration and markings to make it look more like a firearm. That is dangerous and may be a crime.

YOU AND OTHERS WITH YOU SHOULD ALWAYS WEAR SHOOTING GLASSES TO PROTECT YOUR EYES.

READ ALL INSTRUCTIONS BEFORE USING.

BUYER AND USER HAVE THE DUTY TO OBEY ALL LAWS ABOUT THE USE AND OWNERSHIP OF THIS AIRGUN.

THIS AIRGUN IS INTENDED FOR USE BY ADULTS ONLY

WARNING: This product contains a chemical known to the state of California to cause cancer and birth defects (and other reproductive harm).

WARNING: This airgun has been classified as an adult gun, and is recommended for adult use only. Because it is considered to be a special-purpose airgun, it is exempt from specific types of trigger pull, safety mechanisms and drop tests.

Read this owner's manual completely. And remember that an airgun is not a toy. Always carefully follow the safety instructions in this owner's manual and keep the manual in a safe place for future use. If you have any questions regarding the operation of your new airgun contact Crosman at 1-800-724-7486.

1. Learning the Parts of Your New Airgun.

Learning the parts of your new airgun helps you understand your owner's manual. Use this manual to increase your enjoyment of this airgun.



Fig. 1

A. Muzzle B. Barrel C. Scope D. Grip E. Stock F. Butt G. Trigger H. Safety I. Forearm

Break in Period

There may be up to a 100 shot break-in period. During this period accuracy may be inconsistent and your gun may seem loud. This will improve as the spring breaks in.



Fig. 2

2. Operating the Safety

A. To Put the Airgun "ON SAFE:"

- Locate the safety in front of the trigger.
- The letters "F" (fire) and "S" (safe) on the bottom of the trigger guard indicate the appropriate position of the safety.
- Push the safety towards the trigger to put the safety on. The safety is on, and the airgun is "ON SAFE" when the lever is in the rear position (near the trigger). (Fig. 2)

Even when the safety is on, you should continue to handle the airgun safely. Don't point the gun at anything you don't intend to shoot.

Like all mechanical devices, an airgun safety can fail. Even when the safety is "ON SAFE", you should continue to handle the airgun safely. NEVER point the airgun at any person. NEVER point the airgun at anything you do not intend to shoot.

B. To Take the Airgun "OFF SAFE"

WARNING: Keep the airgun "ON SAFE" until you are actually ready to shoot. Then push the safety to the "OFF SAFE" position.

- Push the safety to the forward position (away from the trigger). When the airgun is "OFF SAFE" (Fig. 2) it is ready to be fired after following the instructions in this manual on how to load.

3. Adjusting the Trigger

This airgun has a trigger with a screw for adjustment of the second stage length (Fig. 3)

Note: This feature is added for advanced shooters. Most shooters can use the settings provided during manufacturing of the gun and should not need to make any modifications.

- Make sure airgun is "ON SAFE", unloaded and not cocked.
- To reduce the second stage length, rotate the adjusting screw counterclockwise.
- To increase the second stage length, rotate the adjusting screw clockwise.

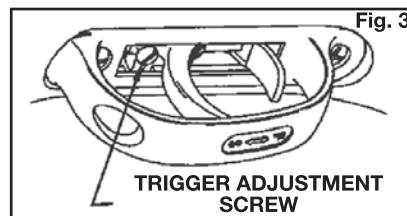
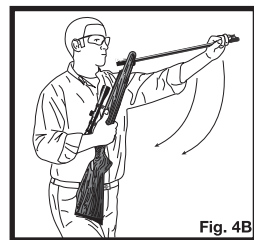


Fig. 3

4. Cocking and Loading Your Airgun



A. Cocking Your Airgun

WARNING: Make sure you do not touch the trigger or push the safety to the "OFF SAFE" position.

Do not cock your airgun until you are ready to load and fire, since the only way to un-cock your airgun is to fire it. Firing your gun without a pellet in the chamber (dry firing) may cause damage to your airgun.

- Put the airgun "ON SAFE" (SECTION 2).
- Point the airgun in a SAFE DIRECTION.
- Holding the gun close to your body, firmly tap the muzzle. (Fig. 4A)
- Anchor gun against thigh and pull barrel down as far as it will go to engage the spring. (Fig.4B)
- Be careful not to pinch your hand or fingers in the hinge area of the airgun.

B. Loading Your Airgun

WARNING: Make sure you do not pull the trigger while cocking the air rifle or with the barrel in the down position. This may cause serious damage to the air rifle.

CAUTION: Use pellets only in your Venom or Dusk. Never reuse ammunition. Your air gun was designed to work with Crosman branded ammunition, these include Crosman® and Benjamin. Use of any other ammunition can cause injury to you or damage to the airgun.

There may be up to a 100 shot break-in period. During this period accuracy may be inconsistent and your gun may seem loud. This will improve as the spring breaks in.

- With the barrel in the open position, after it has been cocked, place one pellet, nose forward, into the breech (Fig. 5). Make sure that the skirt of the pellet is flush with face of breech.
- Move the barrel back to its original position by pushing the barrel up until it locks (Fig. 6).
- Be sure that the barrel is locked in the closed position after loading/cocking to help ensure better accuracy.

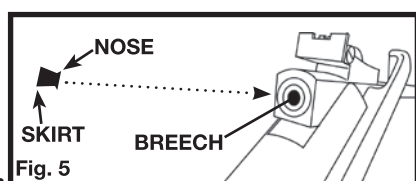


Fig. 5



Fig. 6

Once again, be careful not to pinch your hands or fingers. Be sure the airgun is "ON SAFE" and pointed in a safe direction.

WARNING: Your air rifle is now loaded and ready to fire. Keep the air rifle "ON SAFE" until you are ready to shoot. Do not point at anything you don't intend to shoot.

C. Unloading Your Airgun

Do not cock and load your airgun until you are ready to shoot since the only way to un-cock your airgun is to fire it in a safe direction. REMEMBER, choose your targets carefully and be sure that the area around the target is clear. THINK what you will hit if you miss the target! Do not store your gun cocked or loaded.

5. Aiming and Firing Safely

A. Aiming and Firing the Airgun

- You and others with you should always wear shooting glasses to protect your eyes.
- Always aim your airgun in a SAFE DIRECTION.
- Do not shoot at hard surfaces or at the surface of water. The pellet may bounce off or ricochet and hit someone or something you had not intended to hit.
- Always choose your target carefully. It is best to shoot at paper bull's-eye targets which are attached to a safe backstop. A heavy blanket should be hung behind the backstop to prevent ricochet should you miss the backstop.
- Your backstop should be checked for wear before and after each use. Replace your backstop if the surface is worn or damaged or if a ricochet occurs.
- Your airgun is designed for target shooting. Always remember to place your target carefully.
- THINK about what you will hit if you miss the target.
- When you are sure of your target and backstop, and the area around the target is clear, take the airgun "Off Safe" (see Section 2.2) and pull the trigger to fire.

B. Scope

Your airgun is packaged with a CenterPoint 3-9x32mm scope. Refer to the owner's manual for your scope for instructions on mounting and use.

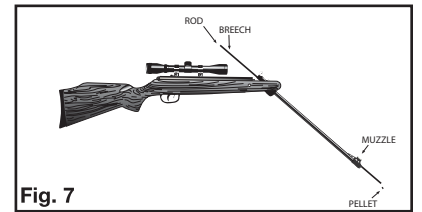


Fig. 7

6. Removing a Jammed Pellet

- Put your airgun "ON SAFE" (Section 2A).
- Do not reload the airgun if a pellet is jammed.
- Break the barrel open slightly (without pulling the barrel all the way down to the point that it cocks the action) and look down the breech to see if the gun is jammed.
- If it is jammed, insert a cleaning rod into the breech and push the jammed pellet out of the muzzle. Don't try to reuse that pellet (Fig. 7)

WARNING: Do not cock the airgun during the removal of a jammed pellet unless you plan on continuing to shoot.

Remember: do not fire your airgun without a pellet in the chamber (dry fire). This may permanently damage your airgun.

- If you are not able to unjam your airgun by following the unloading procedure, take no further action. An Authorized Service Station will unjam your airgun (no cost during the warranty period).

7. Maintaining Your Airgun

- Periodically tighten all stock fasteners
- Check and tighten scope mounts if applicable
- To ensure that your air rifle maintains uniform power, it is important that you apply a drop of Crosman RMCOL every few hundred shots into the compression chamber. (Fig. 8) The external metal parts should be cleaned with a cloth that has RMCOL on it.

CAUTION: Use Crosman RMCOL only and do not over-oil. To do so can cause possible damage to the gun and injury to the shooter and bystanders.

CAUTION: Do not attempt to disassemble your airgun. DO NOT MODIFY OR ALTER YOUR AIRGUN. Attempts to modify the airgun in any way inconsistent with this manual may make your airgun unsafe to use, cause serious injury or death, and will void the warranty.

If you drop your airgun, visually check to see that it works properly before you use it again. If anything seems changed, like a shorter or weaker trigger pull, this may mean worn out or broken parts. Call Crosman customer service for assistance before using your airgun again.

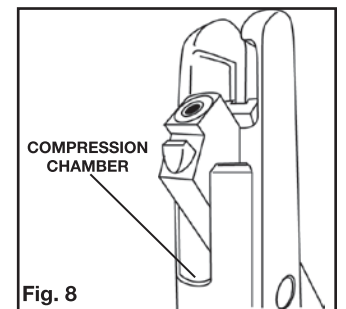


Fig. 8

8. Reviewing Safety

- Never point the airgun at any person or at anything you do not intend to shoot.
- Always treat the airgun as though it is loaded and with the same respect you would a firearm.
- Always aim in a SAFE DIRECTION. Always keep the muzzle of the airgun pointed in a SAFE DIRECTION.
- Always keep the airgun on safe until you are ready to shoot.
- Always check to see if the airgun is "ON SAFE" (see section 2A) and unloaded when getting it from another person or from storage.
- Always keep your finger off the trigger and out of the trigger guard until ready to shoot.
- You and others with you should always wear shooting glasses to protect your eyes.
- If your reading or prescription glasses are not safety glasses, make sure you wear shooting glasses over your regular glasses.
- Use pellets only. NEVER reuse ammunition.
- Do not shoot at hard surfaces or at the surface of water. The pellet may bounce off or ricochet and hit someone or something you had not intended to hit.
- Place the backstop in a location that will be safe should the backstop fail.
- Your backstop should be checked for wear before and after each use. All backstops are subject to wear and will eventually fail. Replace your backstop if the surface is worn or damaged or if a ricochet occurs.
- Do not attempt to disassemble or tamper with your airgun. Use an Authorized Service Station. Using unauthorized repair centers or modifying the function of your airgun in any way may be unsafe and will void your warranty.
- Before you store your airgun make sure it is not loaded or cocked.
- Whenever you store the airgun, make sure it is "ON SAFE" (see section 2A.)

SPECIFICATIONS

Mechanism	Break Barrel	Safety	Ambidextrous Lever
Power source	Nitrogen filled Gas Piston	Barrel	Rifled
Caliber/ammunition	CVW8M22NP & CD8M22NP .22 CAL	Velocity	CVW8M22NP & CD8M22NP Up to 950 fps with high velocity pellet Up to 800 fps with standard pellet
	CVW1K77NP & CD1K77NP .177 CAL		CVW1K77NP & CD1K77NP Up to 1200 fps with high velocity pellet Up to 1000 fps with standard pellet
Weight	CVW8M22NP/ CVW1K77NP 7.61 lbs CD8M22NP/ CD1K77NP 6.61 lbs	Length	CVW8M22NP/ CVW1K77NP 46.25" CD8M22NP/ CD1K77NP 46.25"

PERFORMANCE

Many factors can affect velocity, including brand of projectile and weight of projectile.

Your air gun was designed to work with Crosman branded ammunition, these include Crosman® and Benjamin®. Use of other ammunition may cause your gun to malfunction.

Break in Period

There may be up to a 100 shot break-in period. During this period accuracy may be inconsistent and your gun may seem loud. This will improve as the spring breaks in.

STOP DO NOT RETURN THIS PRODUCT TO THE STORE.

Our friendly customer service representatives will be glad to help. You can get answers to frequently asked questions at www.crosman.com or you can contact us directly at 1-800-7AIRGUN (1-800-724-7486)

REPAIR SERVICE

If your airgun needs repair, we recommend you take or send it to your nearest Crosman Authorized Service Station. DO NOT ATTEMPT TO DISASSEMBLE IT! Your airgun requires special tools and fixtures to repair it. Any disassembly or modification not performed by an Authorized Service Station will void the warranty.

A SPECIAL CUSTOMER SERVICE

Crosman Authorized Service Stations will unjam your airgun at no cost during the warranty period.

LIMITED ONE YEAR WARRANTY

This product is warranted to the retail consumer for one year from date of retail purchase against defects in material and workmanship and is transferable. To register the serial number of your airgun return the airgun registration form. The warranty is not conditioned on the return of the card. You should retain the original sales receipt as record of date of purchase.

WHAT IS COVERED

Replacement parts and labor. Transportation charges to consumer for repaired product.

WHAT IS NOT COVERED

Transportation charges to Authorized Service Station for defective product. Damages caused by abuse, modification or failure to perform normal maintenance – see Owner's Manual. ANY OTHER EXPENSE. CONSEQUENTIAL DAMAGES, INCIDENTAL DAMAGES, OR INCIDENTAL EXPENSES INCLUDING DAMAGE TO PROPERTY. SOME STATES DO NOT ALLOW THE EXCLUSION OR LIMITATION OF INCIDENTAL OR CONSEQUENTIAL DAMAGES SO THE ABOVE LIMITATION OR EXCLUSION MAY NOT APPLY TO YOU.

HOW TO OBTAIN WARRANTY PERFORMANCE

U.S. Customers- Locate nearest service station (see www.crosman.com or call Crosman customer service at 800-724-7486 for list of stations). The service station will give you details of how to proceed with sending the item in for repair. You must contact the station before shipping your product.

International Customers- Return product to your nearest distributor. If you do not know your distributor call 585-657-6161 and ask for our International Department for assistance.

IMPLIED WARRANTIES

ANY IMPLIED WARRANTIES INCLUDING THE IMPLIED WARRANTIES OF MERCHANTABILITY AND FITNESS FOR A PARTICULAR PURPOSE ARE LIMITED IN DURATION TO ONE YEAR FROM DATE OF RETAIL PURCHASE. SOME STATES DO NOT ALLOW LIMITATIONS ON HOW LONG AN IMPLIED WARRANTY LASTS SO THE ABOVE LIMITATIONS MAY NOT APPLY TO YOU.

To the extent any provision of this warranty is prohibited by federal, state or municipal law, which cannot be preempted, it shall not be applicable. This warranty gives you specific legal rights and you may also have other rights, which vary, from state to state.

CROSMAN and BENJAMIN are registered trademarks of Crosman Corporation in the United States.



Serie Venom & Dusk Madera Dura

- Modelos CVW8M22NP (.22 cal)
and CVW1K77NP (.177 cal)

Dusk Sintético - Modelos CD8M22NP (.22cal) and CD1K77NP (.177 cal)

Manual del propietario

ANTES DE USAR ESTE RIFLE DE AIRE COMPRIMIDO, LEA TODAS LAS INSTRUCCIONES Y ADVERTENCIAS CONTENIDAS EN ESTE MANUAL

Crosman Corporation
7629 Rts. 5 & 20
Bloomfield, NY 14469 USA
800-7-AIRGUN
www.crosman.com
Hecho en China

ADVERTENCIA: No es un juguete. Este rifle de aire comprimido se recomienda exclusivamente para su uso por adultos. El mal uso o el uso descuidado puede causar lesiones graves o la muerte. Puede ser peligroso hasta a una distancia de 700 yardas (640 metros).

ADVERTENCIA: No blanda ni muestre este rifle de aire comprimido en público. Puede confundir a la gente y puede ser un delito. La policía y otras personas pueden creer que se trata de un arma de fuego. No cambie la coloración ni las marcas para que aparente ser un arma de fuego. Eso es peligroso y puede ser un delito.

USTED Y QUIENES LO ACOMPAÑEN SIEMPRE DEBEN USAR GAFAS DE TIRO PARA PROTEGERSE LOS OJOS. LEA TODAS LAS INSTRUCCIONES ANTES DE USAR. EL COMPRADOR Y EL USUARIO TIENEN EL DEBER DE OBEDECER TODAS LAS LEYES APLICABLES AL USO Y LA PROPIEDAD DE ESTE RIFLE DE AIRE COMPRIMIDO.

ESTE RIFLE DE AIRE COMPRIMIDO ESTÁ DISEÑADO PARA SER UTILIZADO ÚNICAMENTE POR ADULTOS.

ADVERTENCIA: Este producto contiene un producto químico conocido en el estado de California como causante de cáncer y defectos congénitos (y otros daños reproductivos).

ADVERTENCIA: Este rifle de aire comprimido ha sido clasificado como un arma para adultos y se recomienda que solo adultos lo usen. Debido a que está considerado un rifle de aire comprimido para propósitos especiales, está exento de tipos específicos de accionamiento de gatillo, mecanismos de seguridad y pruebas de caída.

Lea el manual del propietario antes de usarlo. Recuerde que un rifle de aire comprimido no es un juguete. Siga siempre las instrucciones de seguridad contenidas en este manual del propietario. Guárdelo en un lugar seguro para poder consultarlo en el futuro. Si tiene preguntas sobre cómo usar su nuevo rifle de aire comprimido, comuníquese con Crosman llamando al 1-800-724-7486.

1. Conozca las partes de su nuevo rifle de aire comprimido.

El conocimiento de las partes de su nuevo rifle de aire comprimido le ayuda a comprender el manual del propietario. Use este manual para disfrutar al máximo su rifle de aire comprimido.



Fig. 1

A. Boca B. Cañón C. Mira D. Empuñadura E. Culata F. Extremo G. Gatillo H. Seguro I. Guardamano

Periodo de asentamiento

El periodo de asentamiento puede durar un máximo de 100 disparos. Durante este periodo, la precisión puede ser variable y el arma puede sonar más fuerte de lo normal. Esta situación mejorará a medida que se asiente el resorte.

2. Operación del seguro

A. Para activar el seguro del rifle de aire comprimido:

- Localice el seguro que se encuentra al frente del gatillo.
- Las letras "F" (fuego) y "S" (seguro) que se encuentran en la parte inferior del guardamonte indican la posición correcta del seguro.
- Empuje el seguro hacia el gatillo para activar el seguro. El seguro está activado y el rifle de aire comprimido está en posición segura cuando la palanca está en la posición trasera (cerca del gatillo). (Fig. 2)

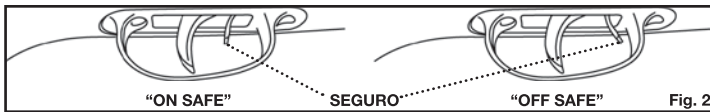


Fig. 2

Incluso cuando el seguro se encuentre activado, debe seguir manipulando el rifle de aire comprimido de forma segura. Nunca apunte el arma a objetos a los que no tenga intención de disparar.

Como todos los dispositivos mecánicos, el seguro de un rifle de aire comprimido puede fallar. Incluso cuando el seguro se encuentre activado, debe seguir manipulando el rifle de aire comprimido de forma segura. NUNCA apunte el rifle de aire comprimido hacia una persona. NUNCA apunte el rifle de aire comprimido a objetos a los que no tenga intención de disparar.

B. Para desactivar el seguro del rifle de aire comprimido:

ADVERTENCIA: Mantenga el rifle de aire comprimido con el seguro activado hasta que esté realmente listo para disparar. Luego empuje el seguro hacia la posición de desactivación.

- Empuje el seguro hacia la posición delantera (alejado del gatillo). Cuando el rifle de aire comprimido tiene el seguro desactivado (Fig. 2), está listo para disparar después de seguir las instrucciones que se presentan en este manual sobre cómo llenarlo y cargarlo.

3. Ajuste del gatillo

Este rifle de aire comprimido tiene un gatillo con un tornillo para regular la longitud de la segunda etapa (Fig. 3)

Nota: Esta característica ha sido agregada para tiradores avanzados. La mayoría de los tiradores pueden utilizar los ajustes hechos durante la fabricación del arma y no deberían necesitar hacer modificaciones.

- Asegúrese de que el rifle de aire comprimido tenga el seguro activado, esté descargado y sin amartillar.
- Para acortar la longitud de la segunda etapa, gire el tornillo de ajuste hacia la izquierda.
- Para aumentar la longitud de la segunda etapa, gire el tornillo de ajuste hacia la derecha.



Fig. 3

4. Amartillado y carga del rifle de aire comprimido



Fig. 4A

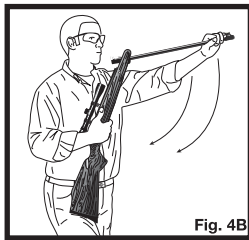


Fig. 4B

A. Amartillado del rifle de aire comprimido

ADVERTENCIA: Asegúrese de no tocar el gatillo ni empujar el seguro a la posición de desactivación.

No amartille el rifle de aire comprimido hasta que esté listo para cargarlo y dispararlo, dado que es la única manera de dispararlo. Disparar el rifle de aire comprimido sin perdigones en la recámara (disparo en seco) puede dañarlo.

- Active el seguro del rifle de aire comprimido (SECCIÓN 2).
- Apunte el rifle de aire comprimido en una DIRECCIÓN SEGURA.
- Sostenga el arma cerca del cuerpo y agarre firmemente el freno de boca. (Fig. 4A)
- Apoye el arma contra el muslo y baje el cañón hasta que pueda acoplar el pistón del resorte. (Fig. 4B)
- Tenga cuidado de no pellizcarse la mano o los dedos en la zona de articulación del rifle de aire comprimido.

B. Cargado del rifle de aire comprimido

ADVERTENCIA: Asegúrese de no accionar el gatillo mientras amartilla el rifle de aire comprimido ni mientras el cañón está abierto, ya que podría provocar serios daños al rifle de aire comprimido.

PRECAUCIÓN: Únicamente perdigones con el modelo Venom o Dusk. Nunca vuelva a utilizar las municiones. Esta arma fue diseñada para funcionar con municiones marca Crosman, que pueden ser Crosman® y Benjamin®. El uso de cualquier otro tipo de municiones podría causarles lesiones o dañar el rifle de aire comprimido.

El periodo de asentamiento puede durar un máximo de 100 disparos. Durante este periodo, la precisión puede ser variable y el arma puede sonar más fuerte de lo normal. Esta situación mejorará a medida que se asiente el resorte.

- Con el cañón abierto, luego de haber sido amartillado, coloque un perdigón con la punta hacia adelante en la recámara (Fig. 5).
- Asegúrese de que la falda del perdigón quede a ras de la cara de la recámara.
- Cierre el cañón moviéndolo en el sentido contrario que siguió al abrirlo hasta que quede trabado (Fig. 6).
- Asegúrese de que el cañón esté cerrado y trabado después de cargarlo y de amartillarlo para lograr una mayor precisión.

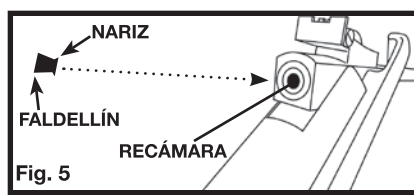


Fig. 5



Fig. 6

Una vez más, tenga cuidado de no pellizcarse la mano o los dedos. Asegúrese de que el rifle de aire comprimido tenga el seguro activado y esté apuntando hacia una dirección segura.

ADVERTENCIA: El rifle de aire comprimido ahora está cargado y listo para disparar. Mantenga el rifle de aire comprimido con el seguro activado hasta que esté listo para disparar. Nunca apunte a objetos a los que no tenga intención de disparar.

C. Descarga del rifle de aire comprimido

No amartille ni cargue el rifle de aire comprimido hasta que esté listo para dispararlo, dado que dispararlo en una dirección segura es la única manera de desamartillarlo. RECUERDE: Sea cuidadoso al elegir el blanco y asegúrese de que el área que lo circunda esté despejada. ¡PIENSE dónde impactará el perdigón si no da en el blanco! No guarde el arma amartillada y cargada.

5. Apuntar y disparar con seguridad

A. Apuntar y disparar el rifle de aire comprimido

- Usted y quienes lo acompañen siempre deben usar gafas de tiro para protegerse los ojos.
- Siempre apunte el rifle de aire comprimido en una DIRECCIÓN SEGURA.
- No dispare a superficies duras ni a la superficie del agua. El perdigón puede rebotar y golpear a alguien o algo que usted no tenía la intención de golpear.
- Elija siempre su blanco con cuidado. Es mejor disparar a dianas de papel sujetadas a un elemento de detención de proyectiles seguro. Se debe colocar una colcha pesada detrás del elemento de detención de proyectiles para evitar que el perdigón rebote en caso de que no acierte al elemento de detención.
- Se debe revisar el desgaste del elemento de detención de proyectiles antes y después de cada uso. Reemplace el elemento de detención de proyectiles si la superficie se desgasta o se daña, o si se presentan rebotes.
- El rifle de aire comprimido está diseñado para tiro al blanco. Recuerde siempre colocar el blanco con cuidado.
- PIENSE dónde impactará el perdigón si no da en el blanco.
- Cuando esté seguro del blanco y del elemento de detención de proyectiles, y el área circundante esté despejada, desactive el seguro del rifle de aire comprimido (consulte la Sección 2.2) y accione el gatillo para disparar.

B. Mira telescópica

El rifle de aire está equipado con una mira telescópica CenterPoint de 3-9x32mm. Para leer las instrucciones de uso y colocación, consulte el manual del propietario de su mira telescópica.

6. Extracción de un perdigón atascado

- Active el seguro del rifle de aire comprimido (Sección 2A).
- No vuelva a cargar el rifle de aire comprimido si tiene un perdigón atascado.
- Abra el cañón ligeramente (sin abrirlo del todo para que no quede amartillado) y mire por la recámara para ver si hay un perdigón atascado.
- Si hubiera uno, introduzca la varilla de limpieza en la recámara y empuje el perdigón hasta que salga por la boca del cañón. No intente volver a utilizar ese perdigón (Fig. 7)

PRECAUCIÓN: No amartille el rifle de aire comprimido mientras esté extrayendo perdigones atascados, a menos que planea seguir disparando.

- Recuerde: No amartille el rifle de aire comprimido sin un perdigón en la recámara (disparo en seco), ya que podría dañar el rifle de aire comprimido en forma permanente.
- Si no puede desatascar el rifle de aire comprimido siguiendo el procedimiento de descarga, no intente ningún otro método. Una estación de servicio autorizada desatascará el rifle de aire comprimido (sin costo durante el periodo de garantía).

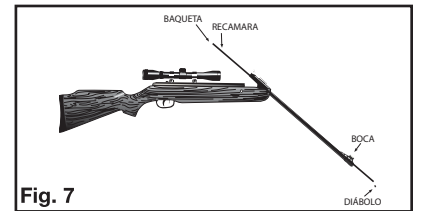


Fig. 7

7. Mantenimiento del rifle de aire comprimido

- Ajuste periódicamente todos los sujetadores de la culata
- Verifique los soportes de la mira y ajústelos si hace falta
- Para garantizar que el rifle de aire comprimido tenga una potencia uniforme, es importante aplicar una gota de Crosman RMC OIL en la cámara de compresión cada algunos cientos de disparos. (Fig. 8) Las piezas externas de metal se deben limpiar con un paño que tenga RMC OIL.

PRECAUCIÓN: Use únicamente Crosman RMC OIL en su cantidad justa. El uso excesivo de aceite puede dañar el arma y el disparador y los espectadores.

PRECAUCIÓN: No intente desarmar el rifle de aire comprimido. NO MODIFIQUE NI ALTERE EL RIFLE DE AIRE COMPRIMIDO. Cualquier intento de modificación del rifle de aire comprimido de manera contraria a las indicaciones de este manual podría provocar que sea inseguro, ocasionar lesiones graves o la muerte, e invalidará la garantía.

Si deja caer el rifle de aire comprimido, revise visualmente que funcione correctamente antes de usarlo de nuevo. Si parece que algo ha cambiado (por ejemplo, si el gatillo está más suave o tiene menos recorrido), podría ser indicio de que hay piezas desgastadas o rotas. Llame al Departamento de Servicio al Cliente de Crosman para obtener ayuda antes de volver a usar el rifle de aire comprimido.

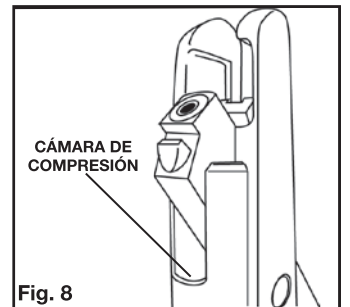


Fig. 8

8. Revisión de seguridad

- Nunca apunte el rifle de aire comprimido hacia una persona ni a objetos a los que no tenga intención de disparar.
- Siempre trate el rifle de aire comprimido como si estuviera cargado y con el mismo respeto que le tendría a un arma de fuego.
- Siempre apunte en una DIRECCIÓN SEGURA. Mantenga siempre la boca del cañón del rifle de aire comprimido apuntando en una DIRECCIÓN SEGURA.
- Mantenga siempre el rifle de aire comprimido con el seguro activado hasta que esté listo para disparar.
- Compruebe siempre que el rifle de aire comprimido tenga el seguro activado (vea la sección 2A) y que esté descargado cuando lo reciba de otra persona o al sacarlo después de estar guardado.
- Mantenga el dedo siempre apartado del gatillo y fuera del guardamonte hasta que esté listo para disparar.
- Usted y quienes lo acompañen siempre deben usar gafas de tiro para protegerse los ojos.
- Si sus anteojos graduados o para lectura no son gafas de seguridad, asegúrese de usar gafas de tiro sobre sus anteojos normales.
- Únicamente use perdigones. NUNCA vuelva a utilizar las municiones.
- No dispare a superficies duras ni a la superficie del agua. El perdigón puede rebotar y golpear a alguien o algo que usted no tenía la intención de golpear.
- Coloque el elemento de detención de proyectiles en un lugar seguro en caso de que dicho elemento falle.
- Se debe revisar el desgaste del elemento de detención de proyectiles antes y después de cada uso. Todos los elementos de detención de proyectiles están sujetos a desgaste y a la larga fallarán. Reemplace el elemento de detención de proyectiles si la superficie se desgasta o se daña o si se presentan rebotes.
- No intente desarmar ni alterar el rifle de aire comprimido. Utilice una estación de servicio autorizada. El uso de centros de reparación no autorizados o la modificación del funcionamiento del rifle de aire comprimido podrían ser inseguros e invalidarán la garantía.
- Antes de guardar el rifle de aire comprimido, asegúrese de que no esté cargado ni amartillado.
- Cuando guarde el rifle de aire comprimido, asegúrese de que tenga el seguro activado (vea la sección 2A).

ESPECIFICACIONES

Mecanismo	Cañón basculante	Seguridad	Palanca ambidextra
Fuente de energía	Pistón de gas relleno con nitrógeno	Cañón	Ranurado
Calibre/munición	CVW8M22NP & CD8M22NP .22 CAL	Velocidad	CVW8M22NP & CD8M22NP Hasta 950 pies con alta velocidad perdigones Hasta 800 pies con perdigones estándar
	CVW1K77NP & CD1K77NP .177 CAL		CVW1K77NP & CD1K77NP Hasta 1200 pies con alta velocidad perdigones Hasta 1000 pies con perdigones estándar
Peso	CVW8M22NP/ CVW1K77NP 7.6 LB CD8M22NP/ CD1K77NP 6.6 LB	Longitud	CVW8M22NP/ CVW1K77NP 46.25" CD8M22NP/ CD1K77NP 46.25"

DESEMPEÑO

La velocidad se ve afectada por diversos factores, entre ellos, la marca y el peso del proyectil. Su arma fue diseñada para funcionar con municiones de la marca Crosman, que incluye las marcas Crosman® y Benjamin®. El uso de una munición diferente puede hacer que el arma funcione mal.

Periodo de asentamiento

El periodo de asentamiento puede durar un máximo de 100 disparos. Durante este periodo, la precisión puede variar y el arma puede sonar más fuerte de lo normal. Esta situación mejorará a medida que se asiente el resorte.

ALTO. NO DEVUELVASU PRODUCTO A LA TIENDA.

Nuestros amables representantes de servicio al cliente le ayudarán con gusto. Puede obtener respuestas a preguntas muy frecuentes en www.crosman.com o puede comunicarse con nosotros directamente al 1-800-7AIRGUN (1-800-724-7486)

SERVICIO DE REPARACIÓN

Si el rifle de aire comprimido necesita reparación, le recomendamos que lo lleve o lo envíe a la estación de servicio autorizado Crosman más cercana. ¡NO INTENTE DESARMARLO! El rifle de aire comprimido requiere herramientas y dispositivos especiales para repararlo. Cualquier desarmado o modificación no realizados por una estación de servicio autorizado invalidarán la garantía.

UN SERVICIO ESPECIAL AL CLIENTE

Las estaciones de servicio autorizado Crosman desatascarán el rifle de aire comprimido sin costo alguno durante el periodo de garantía.

GARANTÍA LIMITADA DE UN AÑO

Este producto está garantizado para el comprador al menudeo durante un año a partir de la fecha de compra al menudeo contra defectos en materiales y mano de obra, y la garantía es transferible. Para registrar el número de serie de su rifle de aire comprimido, envíe el formulario de registro del rifle de aire comprimido. La garantía no está condicionada al envío de la tarjeta. Usted debe conservar el recibo de venta original como evidencia de la fecha de compra.

QUÉ CUBRE LA GARANTÍA

Reemplazo de piezas y mano de obra. Los gastos de transporte para enviar al consumidor el producto reparado.

QUÉ NO CUBRE LA GARANTÍA

Costos de transporte del producto defectuoso hasta la estación de servicio autorizado. Daños ocasionados por abuso, modificaciones o por no realizar el mantenimiento normal (vea el manual del propietario). Cualquier otro gasto. DAÑOS CONSECUENTES O INCIDENTES O GASTOS INCIDENTES, INCLUIDOS LOS DAÑOS A LA PROPIEDAD. ALGUNOS ESTADOS NO PERMITEN LA EXCLUSIÓN O LIMITACIÓN DE DAÑOS INCIDENTES O CONSECUENTES, POR LO QUE ES POSIBLE QUE LA LIMITACIÓN O EXCLUSIÓN ANTERIOR NO SE APLIQUE EN SU CASO.

CÓMO OBTENER EL CUMPLIMIENTO DE LA GARANTÍA

Cientes de los EE. UU.: Localice la estación de servicio más cercana (visite www.crosman.com o llame al Departamento de Servicio al Cliente de Crosman al 800-724-7486 para obtener una lista de las estaciones). La estación de servicio le dará los detalles de cómo proceder con el envío del artículo para reparación. Debe comunicarse con la estación antes de enviar el producto.

Cientes internacionales: Devuelva el producto a su distribuidor más cercano. Si no conoce a su distribuidor, llame al 585-657-6161 y pregunte por nuestro Departamento Internacional para recibir ayuda.

GARANTÍAS IMPLÍCITAS

CUALQUIER GARANTÍA IMPLÍCITA, INCLUIDAS LAS GARANTÍAS IMPLÍCITAS DE COMERCIABILIDAD E IDONEIDAD PARA UN PROPÓSITO ESPECÍFICO, TIENEN UNA DURACIÓN LIMITADA DE UN AÑO A PARTIR DE LA FECHA DE COMPRA AL MENEDEO. ALGUNOS ESTADOS NO PERMITEN LIMITACIONES SOBRE LA DURACIÓN DE UNA GARANTÍA IMPLÍCITA, DE MODO QUE ES POSIBLE QUE LAS LIMITACIONES ANTERIORES NO SE APLIQUEN EN SU CASO.

En la medida en que cualquier disposición de esta garantía esté prohibida por leyes federales, estatales o municipales que no puedan invalidarse, no será aplicable. Esta garantía le otorga derechos legales específicos y es posible que usted también tenga otros derechos que varían de un estado a otro.

CROSMAN y BENJAMIN son marcas comerciales registradas de Crosman Corporation en los Estados Unidos.